

## TECHNICAL DATASHEET

ref.15442

# SOLAR INVERTER 5KW 230V

### Description

Single phase inverter.



### General data

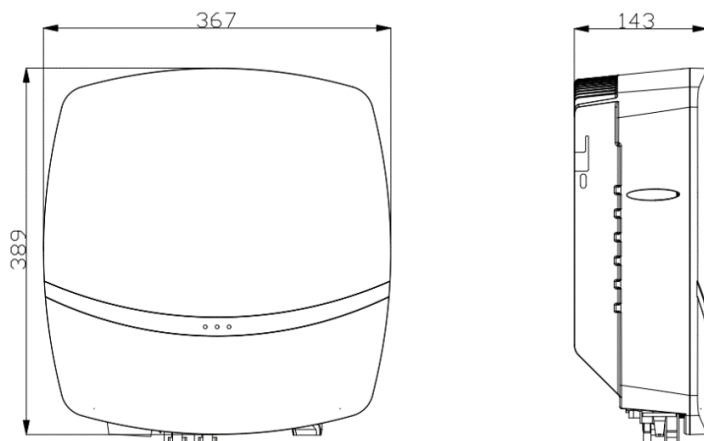
Typology	Transformerless
Consumption at night	<0.2W
Consumption at standby	6W
Operating temperature range	-40°C a +60 °C
Cooling method	Natural convection
Ambient humidity	0-100 % (non-condensing)
Maximum altitude	4000m
Noise level	<25 dB
Protection category	IP 65
Dimensions (H*W*D)	389x367x143mm
Weight	12.2kg
Maximum efficiency	98.1%

### Technical specifications

Direct current (DC)	Maximum power	7500Wp
	Maximum voltage	600V
	MPPT voltage range	90-550V
	Nominal DC voltage	360V
	Start voltage	100V
	Minimum DC voltage	80V
	Maximum DC input current PV1/PV2	12.5/12.5A
	Maximum short circuit current	15/15A
	Number of DC connection sets per MPPT	1/1A
	Number of MPPT	2
DC switch	Integrated	

Alternating current (AC)	Rated AC power	5000W
	Maximum AC power	5000VA
	Rated AC current @230Vac	21.8A
	Maximum AC current	24.0A
	Nominal AC voltage/range	220,230,240/180-280V
	Grid frequency/range	50,60/45-55,55-65Hz
	Power factor	0.8 leading~0.8 lagging (cos $\varphi$ )
	Total harmonic distortion	< 2% (at nominal power)
	Feed-in	L+N+PE

### Measurements



### Standards applicable

IEC62109-1/2, IEC61000-6-1/2/3/4, EN 50438, C10/C11, IEC 62116, IEC61727, RD 1699, UNE 206006, UNE 206007, CEI 0-21, AS4777.2, VDE-AR-N 4105